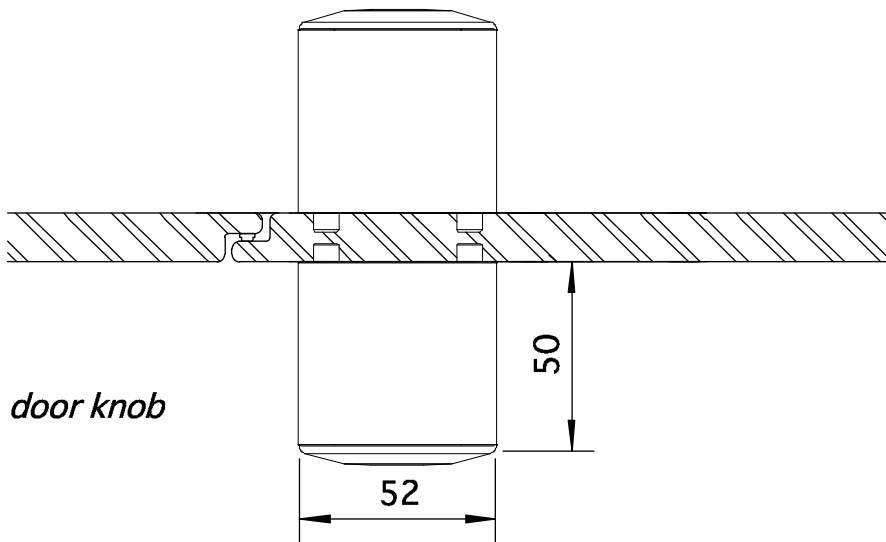
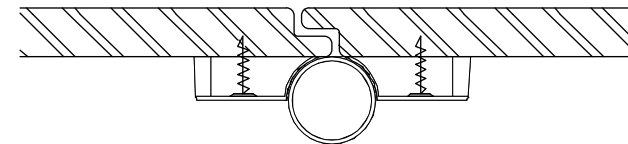


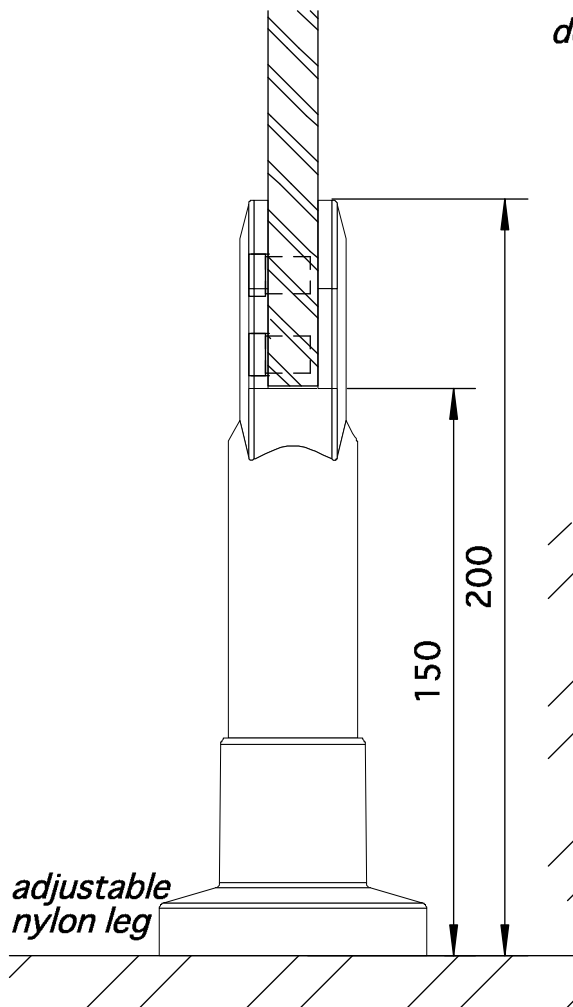
*aluminum stabilisation profile*



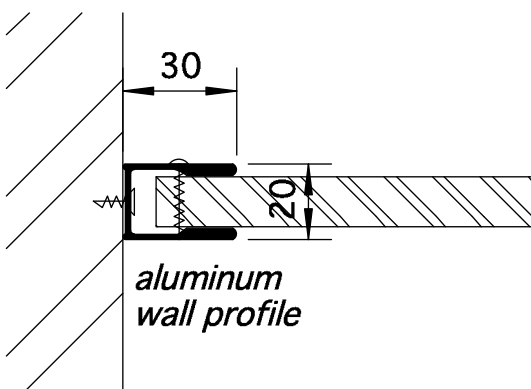
*door knob*



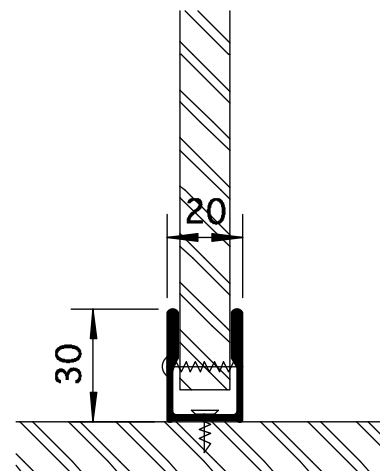
*hinge*



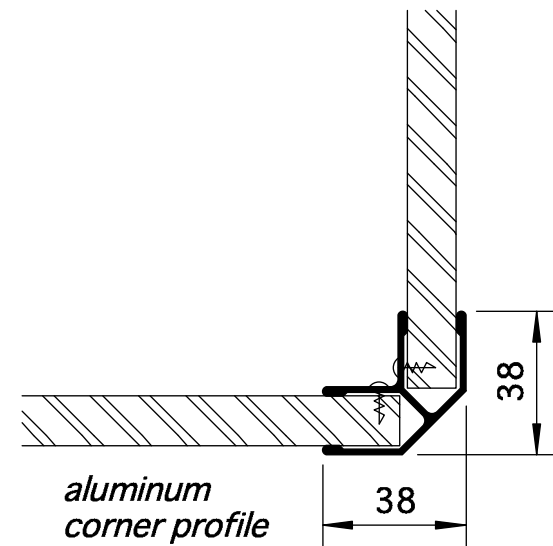
*adjustable nylon leg*



*aluminum wall profile*



*connection intermediate panel/front wall*



*aluminum corner profile*

scale 1/2

*details - KIDS*

ASI ALPACO BVBA - Wijtschotbaan 3 bus 1 - 2900 Schoten

